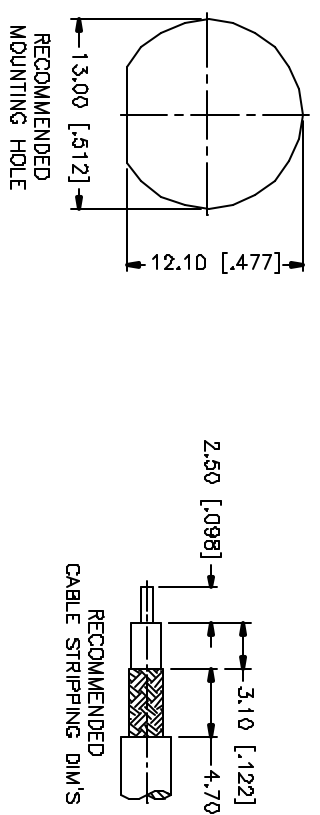
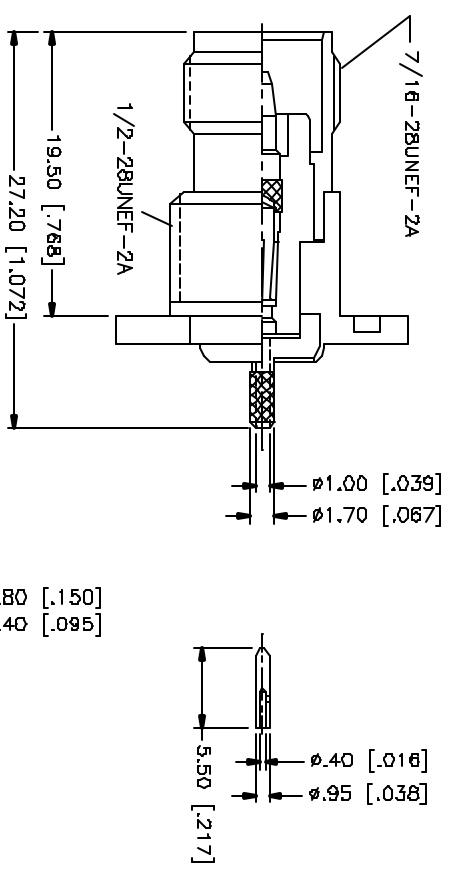
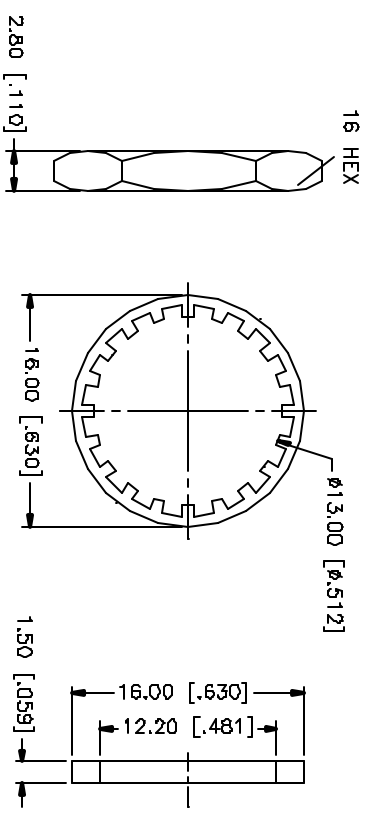


REV.	DATE	DESCRIPTION
A	06/29/04	UPDATE DRAWING FORMAT



CRIMP NOTES:

1. CRIMPED FERRULE
HEX CRIMP SIZE .128"
2. CRIMPED CONTACT PIN
SQ. CRIMP SIZE .7mm

QTY	DESCRIPTION	MATERIAL	FINISH	QTY	REV. FILE	DATE	APPROVALS	DWG. NO.	REV.	SIZE	SCALE		
1	FERRULE	COPPER	NICKEL	1	PART DESCRIPTION TNC BULKHEAD CRIMP JACK (FOR RG-178B/U, 196A/U - 5mm PANEL) 122370	06/29/04	G.R.S.	122370.DWG	A	A	NA		
1	HEX NUT	BRASS	NICKEL	1									
1	LOCK WASHER	BRASS	NICKEL	1									
1	GASKET	BRASS	NICKEL	1									
1	CONTACT PIN	BRASS	NICKEL	1									
1	INSULATOR BODY	DELFIN BRASS	NATURAL NICKEL	1									
PART DESCRIPTION TNC BULKHEAD CRIMP JACK (FOR RG-178B/U, 196A/U - 5mm PANEL) 122370						DRAWN G.R.S.	DATE 06/29/04		APPROVALS	DWG. NO. 122370.DWG	REV. A	SIZE A	SCALE NA
MATERIAL COPPER BRASS BRASS BRASS DELFIN BRASS						FINISH NICKEL NICKEL NICKEL NICKEL NATURAL NICKEL	QTY 1 1 1 1 1 1		DESCRIPTION FERRULE HEX NUT LOCK WASHER GASKET CONTACT PIN INSULATOR BODY	DO NOT SCALE DRAWINGS	REV. FILE G:/122/122370.DWG	SIZE A	SCALE NA